

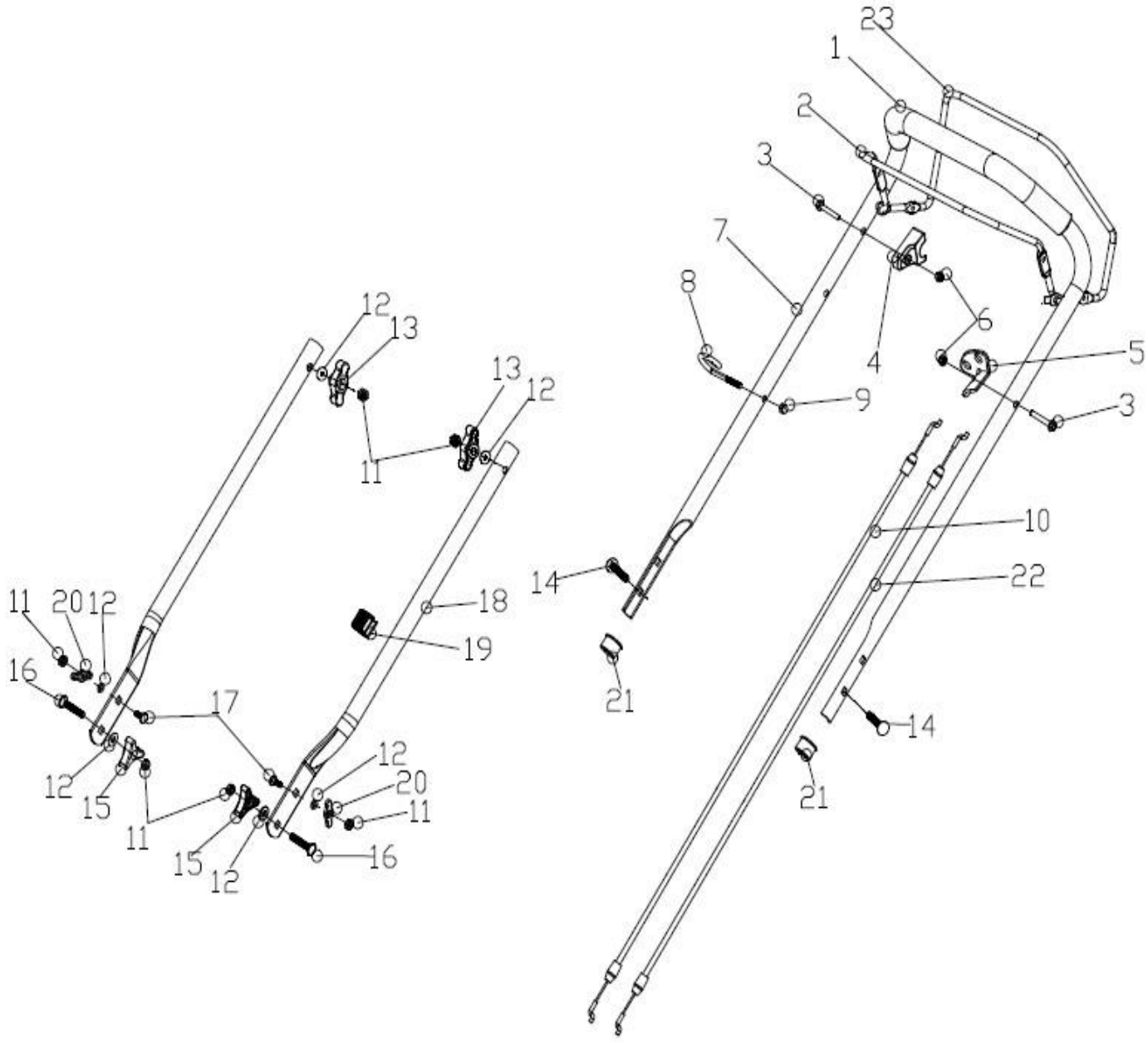


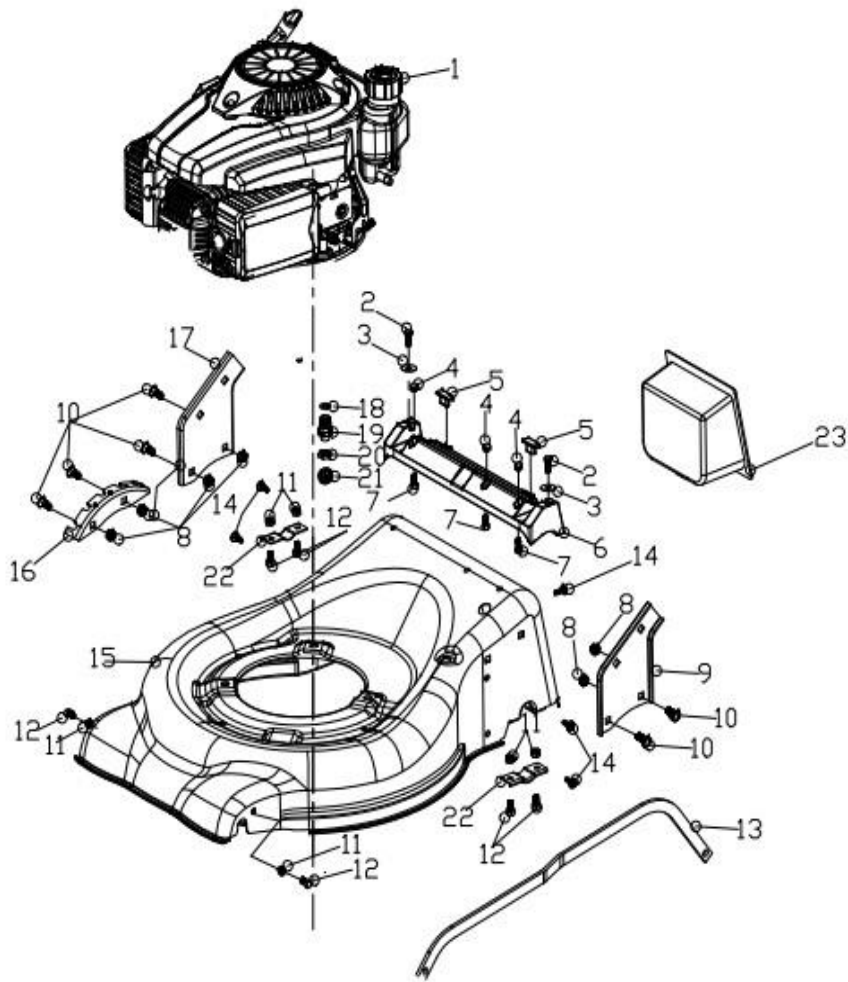
3	wheel assy.	
4	outer cover of hub	
5	wheel assy.	
6	wheel punch bearing	
7	rear discharge base	
8	outer cover of hub	

9	v belt	
10	Hexagon nut	



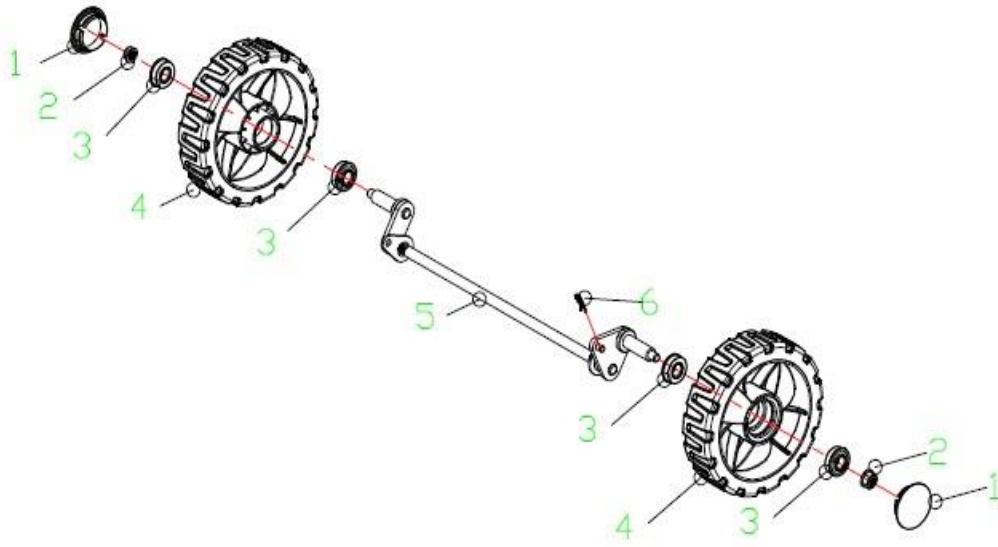
1	foam pipe		1
---	-----------	--	---

2	stop lever		1
3	Bolt		2
4	lever guard		1
5	Brake Cable Assy plate		1
6	Self-locking nut		2
7	upper handrail		1
8	Rope Guide		1
9	Cap nut		2
10	brake cable		1
11	Hexagon nut		6
12	flat washer		6
13	thick knob		2
14	heterotypic carriage bolts		2
15	triangle knob		2
16	Half round head square neck bolts		2
17	Half round head square neck bolts		2
18	lower handrail		2
19	fastener		1
20	thin knob		2
21	handrail stopper		2
22	selfpropelled cable		1
23	Self-propelled Lever		1

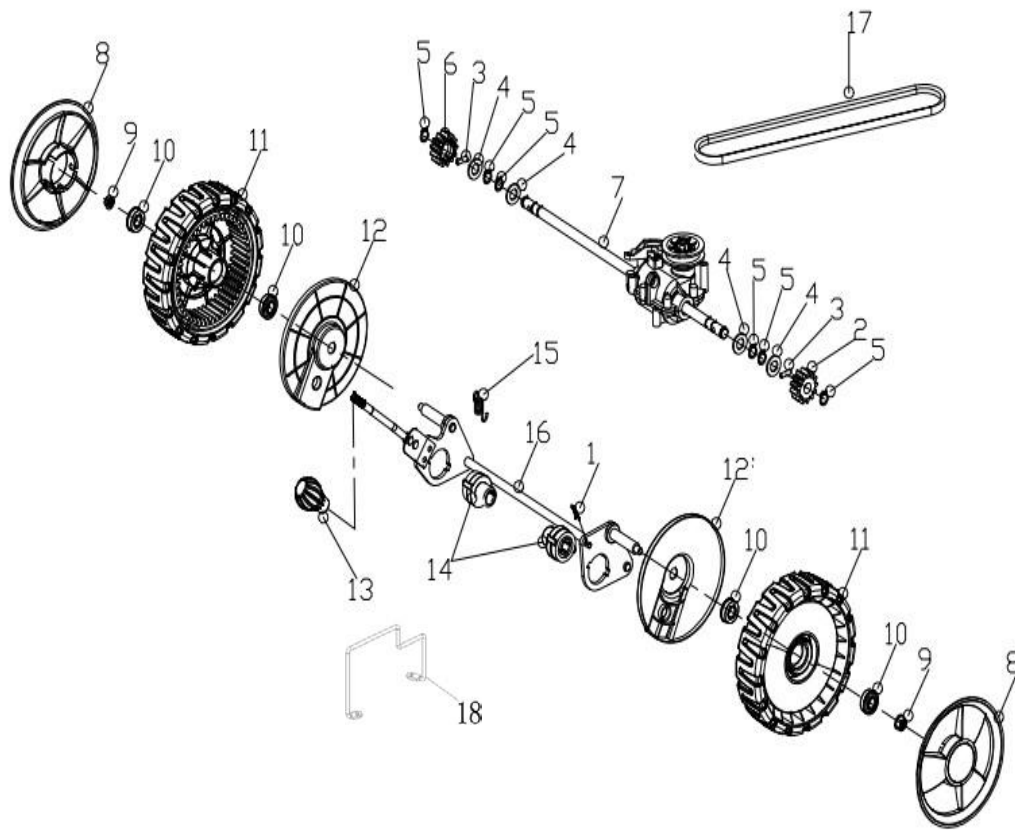


1	petrol engine	1
2	Phillips flat head self tapping screw	2
3	Large flat washer	2
4	Self-locking nut	3
5	rear discharge base	2
6	rear discharge base	1
7	Bolt	3
8	Hex lock nut	6
9	right bracket	1
10	Half round head square neck bolts	6
11	Self-locking nut	6
12	Bolt	6
13	Height Adjustment Pull Rod	1
14	Phillips flat head self tapping screw	5
15	deck assy.	1
16	height adjustment board	1
17	right bracket	1
18	"O" ring	1
19	inlet	1
20	Pipe connector nut	1

21	cable stopper	1
22	Displacement pressure plate after	2
23	mulching plug	1

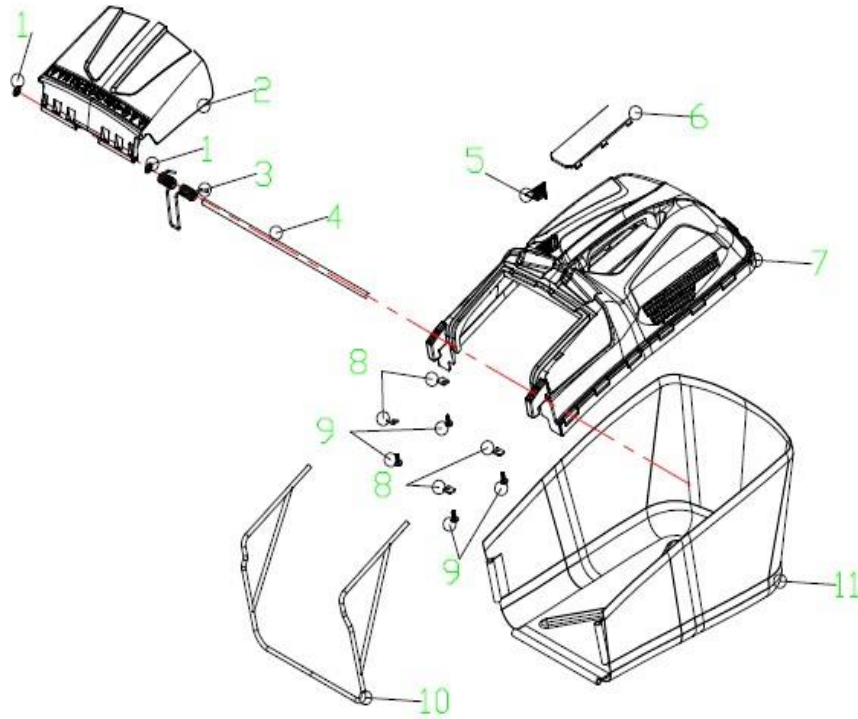


1	outer cover of hub	2
2	Self-locking nut	2
3	wheel punch bearing	4
4	wheel assy.	2
5	front drive assy.	1
6	R type pin	1



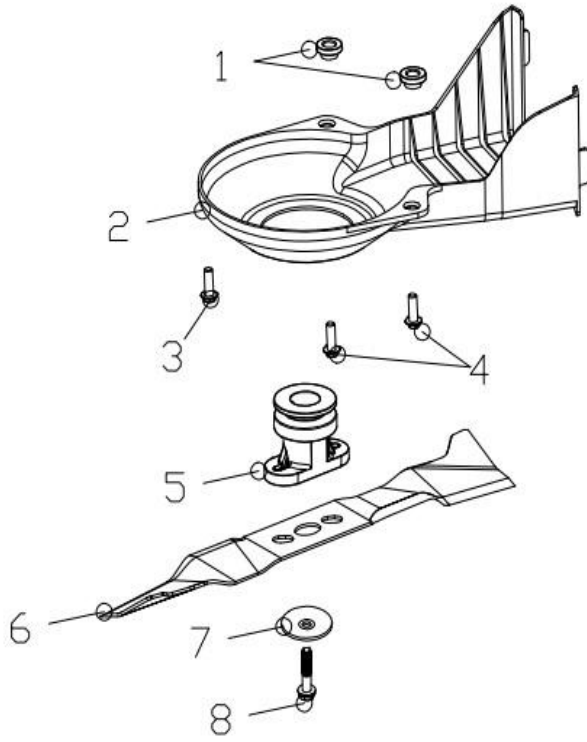
1	R type pin		1
2	Ratchet Wheel L		1
3	bratchet pin		2
4	selfpropelled ratchet washer		4
5	spring washer		6
6	Ratchet Wheel L		1
7	self-propelled assy.		1
8	outer cover of hub		2
9	Self-locking nut		2
10	wheel punch bearing		4
11	wheel assy.		2
12	inner cover of hub		2
13	height adjustment ball		1
14	rear wheel axle sleeve		2
15	selfpropelled spring		1
16	rear drive assy.		1

17	v belt		1
18	Brake spring		1



1	lock washer	lock washer	2
2	rear discharge cover	rear discharge cover	1
3	cover spring	cover spring	1
4	Shaft for rear discharge cover	Shaft for rear discharge cover	1
5	air-out board of fabric grass	air-out board of fabric grass bag cove	1
6	protection board of grass bag	protection board of grass bag	1
7	top of grass box	top of grass box	1
8	Gasket	Gasket	4
9	Phillips flat head self tapping screw	Phillips flat head self tapping screw	4
10	plastic top frame	plastic top frame	1
11	fabric grass bag	fabric grass bag	1





1	Chassis bushing		2
2	belt cover		1
3	Hex flange bolts		1
4	Hex flange bolts		2
5	Blade Adapter		1
6	Blade		1
7	blade washer		1
8	Inch hex flange bolts		1